



Acme Sanitary Ware Co Ltd

Acme Building, 22-28 Nanking Street, Kowloon, Hong Kong
Tel: 2388 7171 Fax: 2710 8012
E-mail: acme@acmesanitary.com.hk
Website: www.acmesanitaryware.com.hk






Pure Freude
an Wasser

PROJECT		REF		REV	ITEM CODE	
LOCATION		DATE			PAGE	

SANITARY WARE SPECIFICATION SHEET

Item Descriptions	GROHE (Germany) "Atrio" Single-lever L-size basin mixer 1/2" with chrome plated finish
Dimensions	L166 x W140 x H302 mm
Model	32042003
Finish / Material	Chrome Plated
Country of origin	Germany
Manufacturer	GROHE Limited
Supplier	Acme Sanitary Ware Co. Ltd Mr. Eric Wong/ Mr. Don Yuen
Contact Tel/Fax	(852) 2388-7171 / (852) 2710-8012
E-mail	acme@acmesanitary.com.hk
Website	www.acmesanitary.com.hk

Illustration/ Drawing

Product Descriptions

- monobloc installation
- 28 mm ceramic cartridge with **GROHE SilkMove**
- with temperature limiter
- **GROHE StarLight** chrome finish
- **GROHE EcoJoy** 5.7 l/min laminar mousseur
- swivel tubular C-spout with mousseur
- stop limiter
- Push-open waste set 1 1/4"
- flexible connection hoses

GROHE ATRIO

THE ICON OF ELEGANCE AND PRECISION

Consider the circle. A staple of natural geometry. A pure form at once soothing and dynamic. A visual metaphor for both, completeness and eternity. For its Atrio collection GROHE draws on this most elemental and elegant form to create an iconic object that is built to last.

The Atrio collection means design without restrictions. Each item is available in various finishes and size options to meet all demands of personal taste and different design schemes.

Colour options:

● 003 StarLight Chrome	● GL3 Cool Sunrise
● DC3 SuperSteel	● GN3 Brushed Cool Sunrise
● DA3 Warm Sunset	● DL3 Brushed Warm Sunset
● A03 Hard Graphite	● BE3 Polished Nickel
● AL3 Brushed Hard Graphite	● EN3 Brushed Nickel



32042DC3 32042DA3 32042GL3 32042AL3

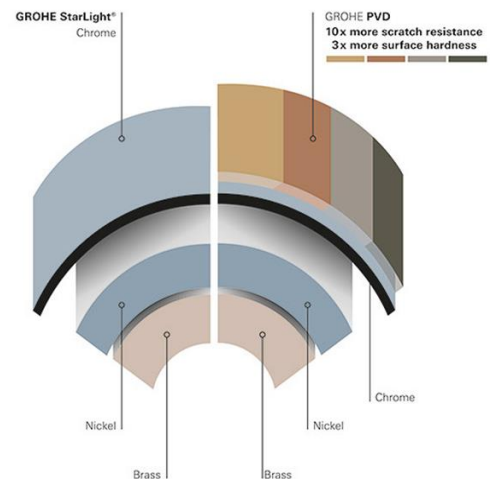
Note: [YouTube \(GROHE Atrio Product\) https://www.youtube.com/watch?v=HJDtY_EFMdM](https://www.youtube.com/watch?v=HJDtY_EFMdM)

* All information of the above is for the reference only. No prior notice is made if any changes.

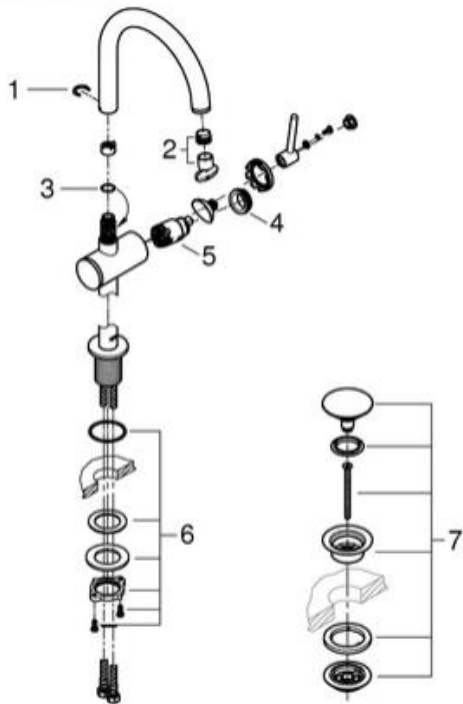


PROJECT		REF		REV	ITEM CODE	
LOCATION		DATE			PAGE	

SANITARY WARE SPECIFICATION SHEET



SPARE PARTS



Pos.-nr.	Prod. description	Order-nr.
1	Safety ring	4826600M
2	Laminar flow straightener	48408000
3	Sealing washer Ø 13.5 x Ø 2.75	0128500M
4	Fitting ring	07419000
5	Cartridge	46963000
6	Shank fastening assembly	48384000
7	Waste fitting	65807000

* Optional accessories

Note:

* All information of the above is for the reference only. No prior notice is made if any changes.